



SERVING 5 CONTINENTS' AGRO INDUSTRIES  
SINCE 1973 WITH 32 ENGINEERS AND 155 EMPLOYEES

**bigtem**<sup>®</sup>

## DILL PREPROCESSING AND CYCLONE SEPARATION LINE AFTER DRYING



1 DRIED DILL SIZE GRADING AND PLC CONTROLLED AIR SIFTING / SEPARATION SYSTEM



2 AIRFLOW CONTROLLED DILL SEPARATION SYSTEM



3 DRIED DILL STEM SEPARATION DRUM



4 LEAFY VEGETABLES & DILL VORTEX WASHING & DEWATERING SYSTEM



5 CONTINUOUS BELT DILL DRYING TUNNEL

**3 TONS / HOUR CAPACITY**

[www.bigtem.com](http://www.bigtem.com)

🏠 **bigtem** MAKİNE A.Ş.  
Orhanlı Mah. Gülsüm sok. No:8  
Tuzla/İSTANBUL TURKEY  
☎ Tel: +90 (216) 394-4189  
☎ Fax: +90 (216) 394-4195  
✉ email: [bigtem@bigtem.com](mailto:bigtem@bigtem.com)

🏠 **bigtem** HELLAS S.A.  
12nd km XANTHI - EVLALO  
P.O. Box 576, 67 100 XANTHI GREECE  
☎ Tel: (+30) 25410-94290, 94230  
☎ Fax: (+30) 25410-94080  
✉ email: [bigtemhellas@bigtem.com](mailto:bigtemhellas@bigtem.com)

REPRESENTED BY:



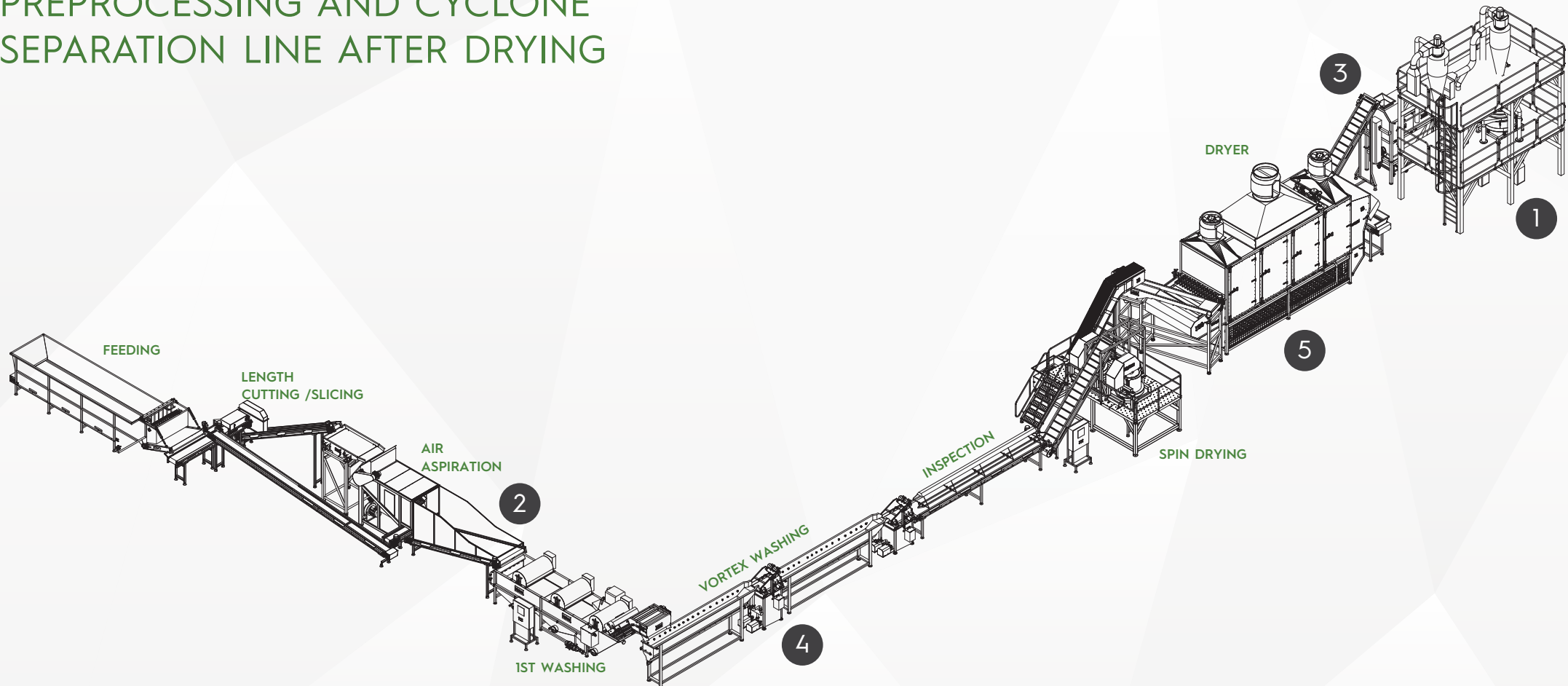
# bigtem

## 45 YEARS

DESIGNERS AND  
MANUFACTURERS FOR  
FOOD PROCESSING AND  
PACKAGING INDUSTRY

### DILL PREPROCESSING AND CYCLONE SEPARATION LINE AFTER DRYING

SIZE GRADING  
PLC CONTROLLED  
AIR SEPARATION



3 TONS / HOUR CAPACITY

[www.bigtem.com](http://www.bigtem.com)  
EN - 05/17